

Wall-Hung Water Closet

PRODUCT FEATURES

- Compatible with Rigel concealed cistern or concealed box flush valve system
- Rimless design that prevents dirt accumulation
- Easy maintenance

PRODUCT SPECIFICATIONS

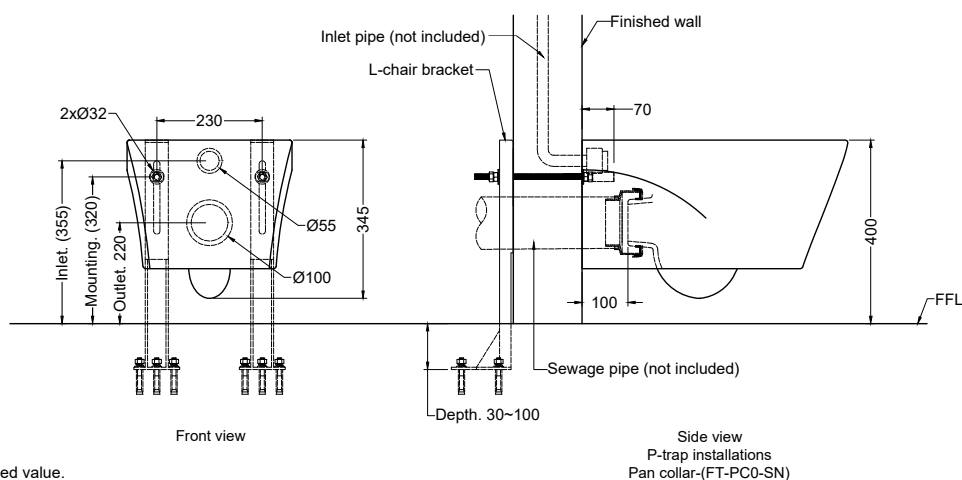
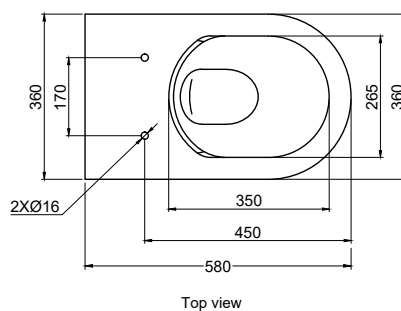
- Dimension : 580(L) x 360(W) x 345(H)mm
- Material : Vitreous China
- Flushing type : WhirlWash
- Water inlet connection : Back inlet
- Trap seal : Min.50mm
- Seat & Cover : FT-SC1021PS (default)

Flushing system coupling

- Flush valve – concealed box, concealed duct
- Manual concealed cistern – H-frame/ without H-frame



TECHNICAL DRAWING



()Denotes recommended value.
All dimension are in mm.

DISCLAIMER : While every effort has been made to ensure factual accuracy, the information presented is subject to changes due to requirements in different sites, markets and / or countries. Rigel reserves the right to make the necessary amendments at any time without prior notice.

Rev : 1.0
Date : 07.01.2021